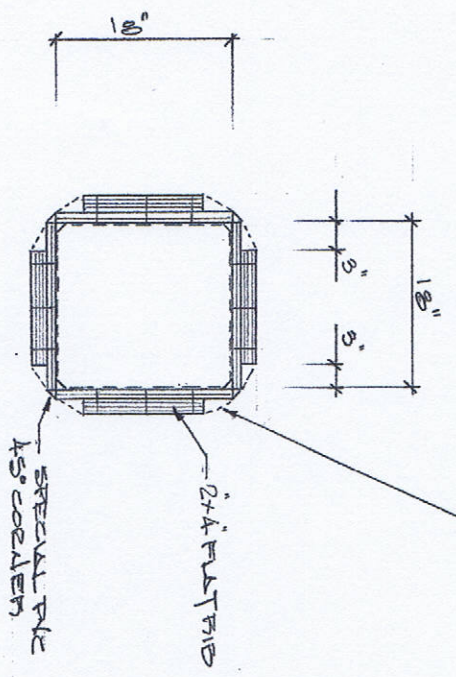
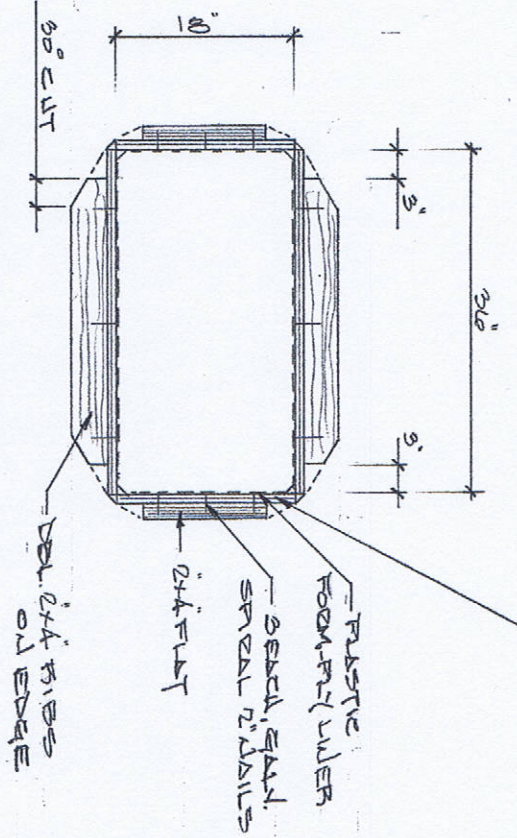


0.023x.750 STEEL REBAR



18"x18" Ecorem Column

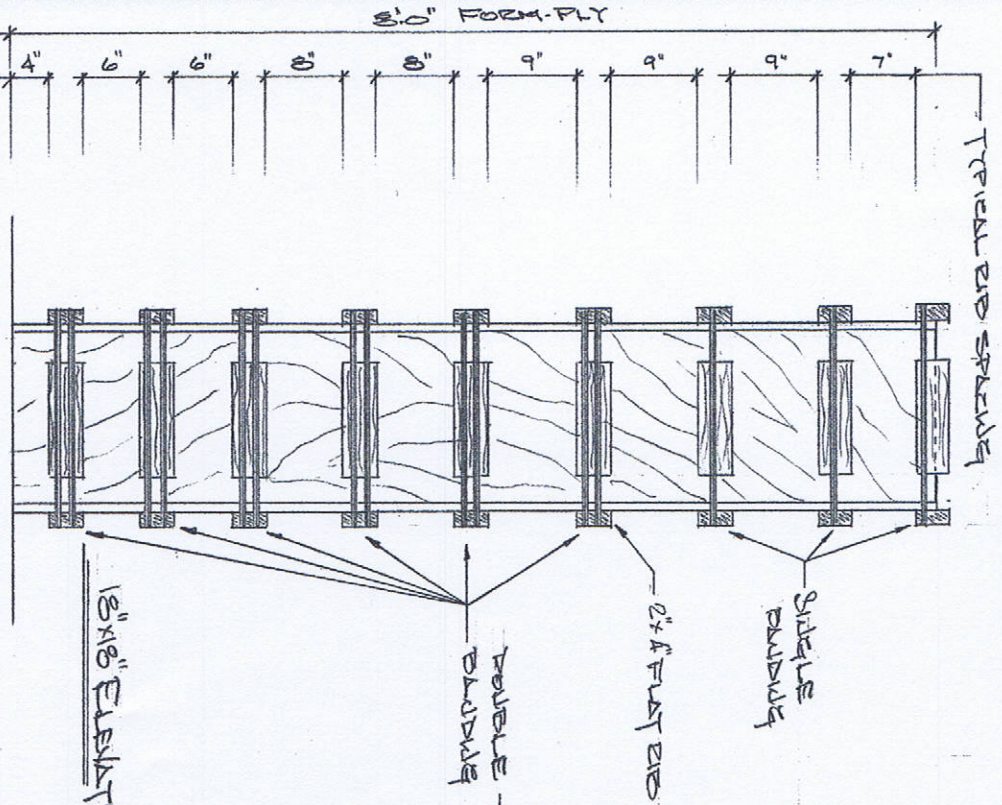
5/8" SPRAY FORM-PLY



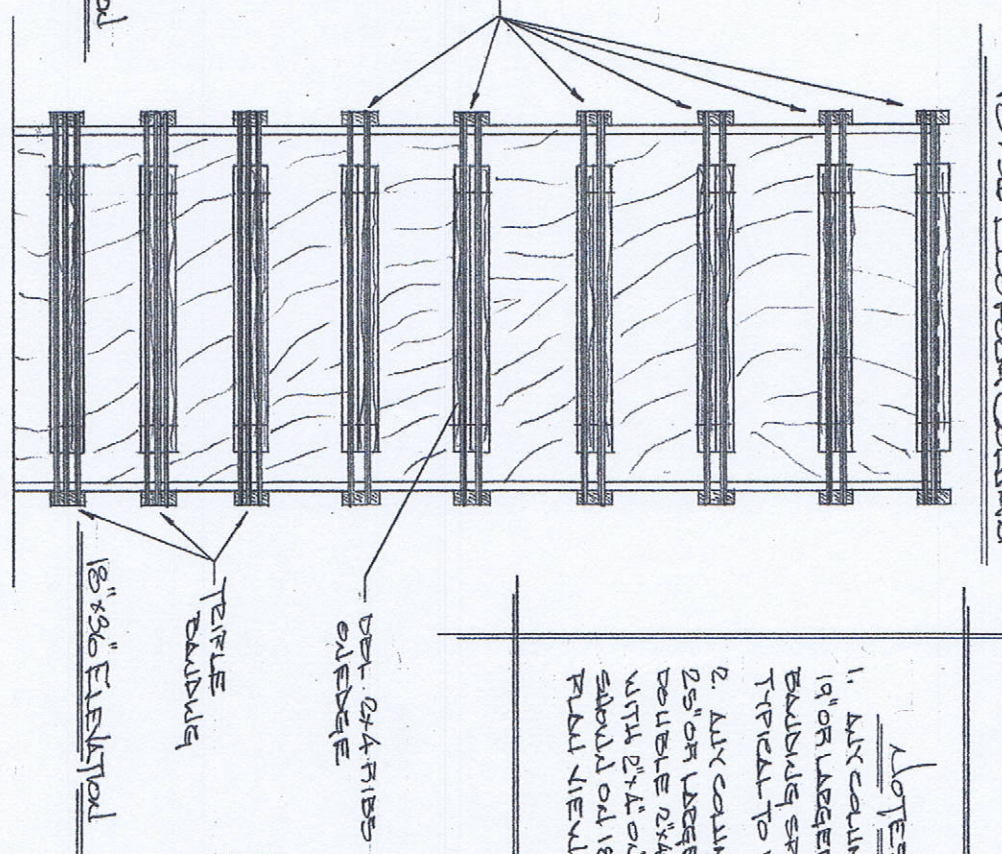
18"x36" Ecorem Column

Notes

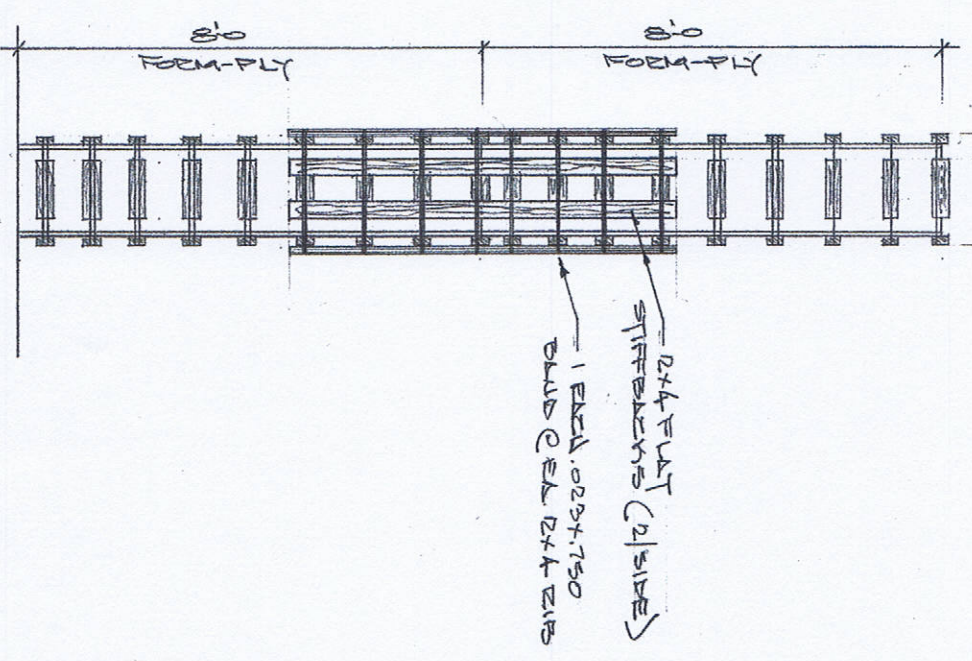
1. ALL COLUMN FACE 19" OR LARGER, REQUIRE BUILDING SPACING IS TYPICAL TO 18"x36" CD.
2. ALL COLUMN FACE 25" OR LARGER, REQUIRE DOUBLE 2"x4" RIBS SPACING WITH 2"x4" ON EDGE AS SHOWN ON 18"x36" COLUMN PLAN VIEW ABOVE.



18"x18" Ecorem Column



18"x36" Ecorem Column



STIFFBACKS READY FOR COLUMNS OVER 8' IN HEIGHT



LEGEND

1	18" x 18" Ecorem Column
2	18" x 36" Ecorem Column
3	2x4 Flat Ribs
4	3/8" Steel Rebar
5	Form-Ply

THIS IS A SUMMARY OF THE INFORMATION PROVIDED TO THE CONTRACTOR AND THE USER OF THIS DOCUMENT. THE CONTRACTOR AND THE USER OF THIS DOCUMENT SHALL BE RESPONSIBLE FOR OBTAINING ALL NECESSARY PERMITS AND APPROVALS FROM THE APPROPRIATE AGENCIES. THE CONTRACTOR SHALL BE RESPONSIBLE FOR OBTAINING ALL NECESSARY PERMITS AND APPROVALS FROM THE APPROPRIATE AGENCIES. THE CONTRACTOR SHALL BE RESPONSIBLE FOR OBTAINING ALL NECESSARY PERMITS AND APPROVALS FROM THE APPROPRIATE AGENCIES.

DETAIL BY DESIGN  
 6044 THERESA DR.  
 GALLUP, OHIO 43119  
 PHONE: 614-870-5144  
 FAX: 614-870-4885  
 WWW: www.designbydesign.com

CONTRACT INFORMATION - PROVIDED FOR RECORD ONLY

DATE OF CONTRACT	NO. OF SHEETS	SHEET NO.
7/20/12	1	1

DATE & REVISIONS

NO.	DATE	REVISIONS
1	9/20/12	FOR BUILT ECOM FORM

PROJECT: COLIUM FORMS  
 DRAWN BY: J.M. STAMM  
 CHECKED BY: EBERHARD PARRIS